

DEBIKADOR 500

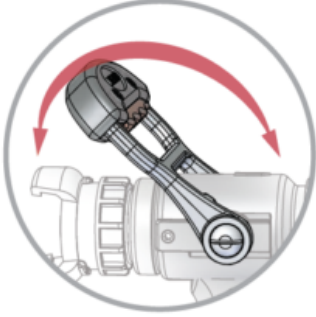


SKU: N/A

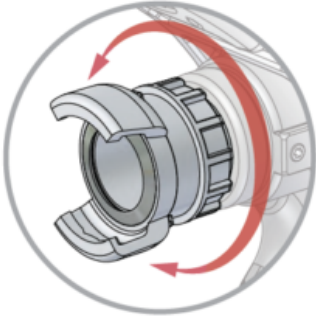


PRODUCT DESCRIPTION

Operating handle with protective grip in polyurethane. Ball valve shutoff, quick and progressive opening and closure.



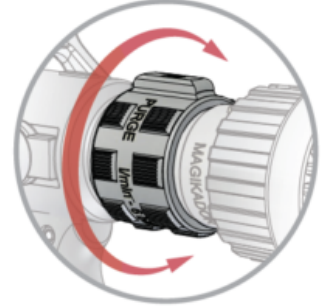
Swivel inlet coupling conform to international norms



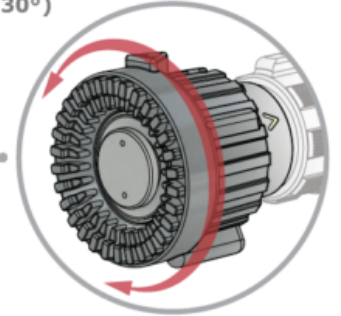
Conform to norm
EN 15182-2



Flow rate ring to select flow rates at a reference pressure of 6 bar and ending with the FLUSH position. The raised lug indicates the highest flow rate.



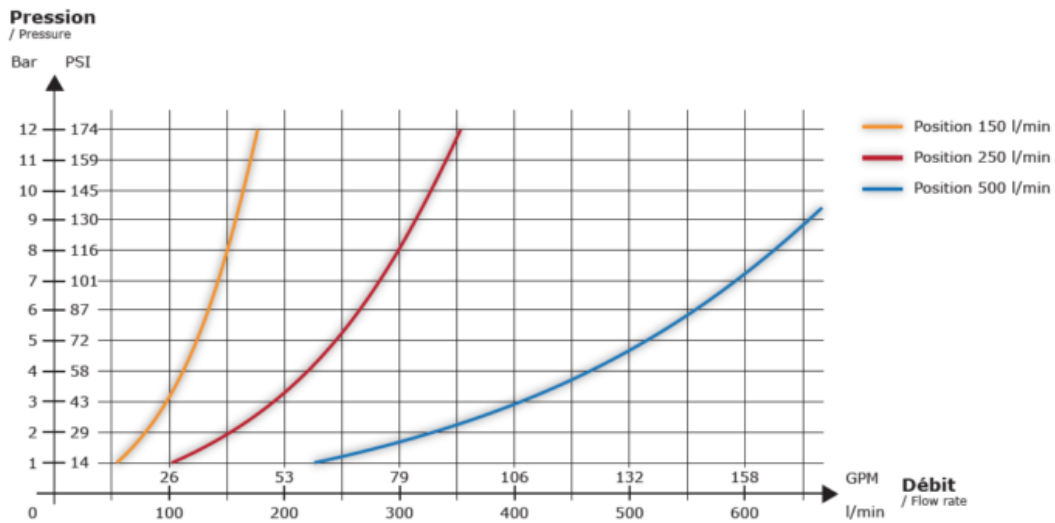
The anti-shock bumper guard in polyurethane has tactile markings to indicate the stream pattern. 3 stream patterns positions: straight jet, flashover (30°), wide angle spray (130°)



TECHNICAL CHARACTERISTICS

- The flow rate and flush is adjusted by rotating the **flow rate adjustment ring**. The available flow rates are engraved on the ring. By rotating the ring to the desired setting, the flow rate will be set to this value at the **6 bar (87psi)** reference pressure. A tactile indicator permits the user to know the flow setting even in total darkness and while wearing firefighting gloves (**conform to EN 659**).
- This ring has a position marked **PURGE or FLUSH** which permits the removal of particles which could interfere with the proper hydraulic operation of the nozzle.
- **Selectable stream pattern**: a continuous rotation of the head ring allows the user to progress from a **straight stream** to a **narrow spray** also called "Flashover", to a full **fog diffusion cone of 130°** forming a wall of water. **Tactile and visual indicators** permit the user to know the type of stream even in total darkness and while wearing firefighting gloves.
- **Swivel inlet connection**.
- **Protection filter** protects against pebbles at the inlet connection.
- Functions under nominal pressure **PN16**.
- Quick On/Off Shutoff valve.

CURVES FLOW RATE/PRESSURE - For the 500 lpm version



CONSTRUCTION

- **Aluminium alloy** construction, AGS T5, new titrated alloy, extremely light.
- Resistant to mechanical shock and chemical attack with **50µm hard anodisation**.
- The head is protected with a **polyurethane bumper guard**. This elastomer does not melt under heat, is an excellent insulator which allows the user to work under high heat conditions without burning and does not stick to the fingers in low temperatures.
- Ergonomic, anti-slip polyurethane pistol grip.
- Pins and screws in stainless steel.

